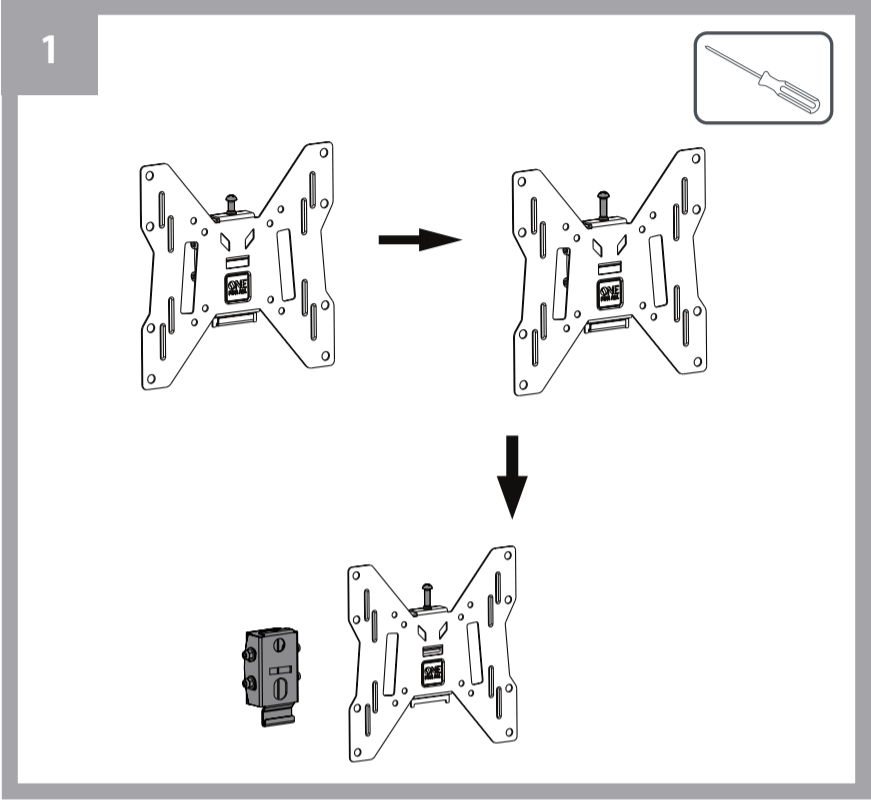
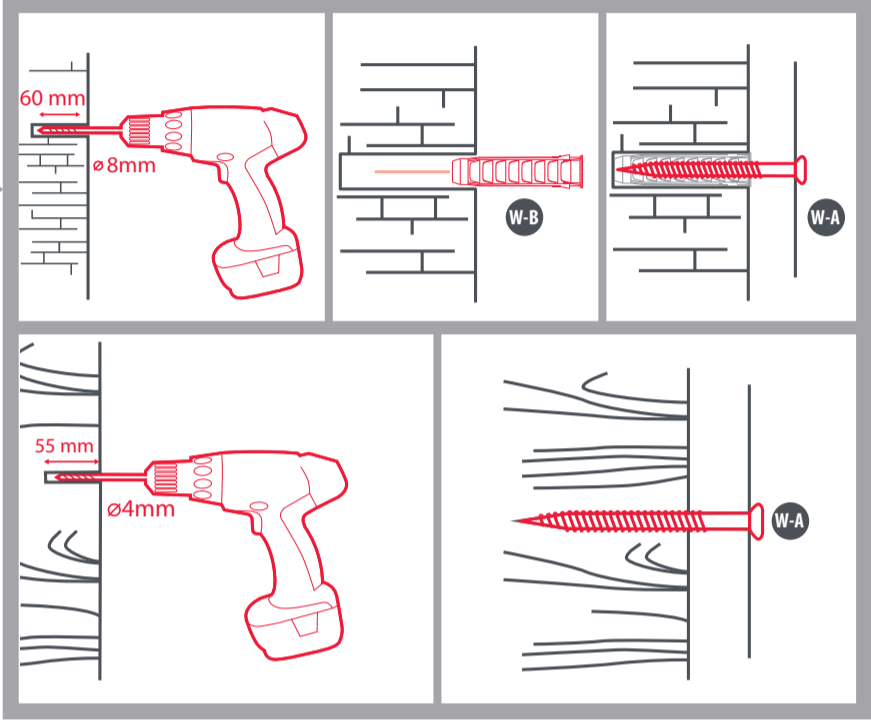


START

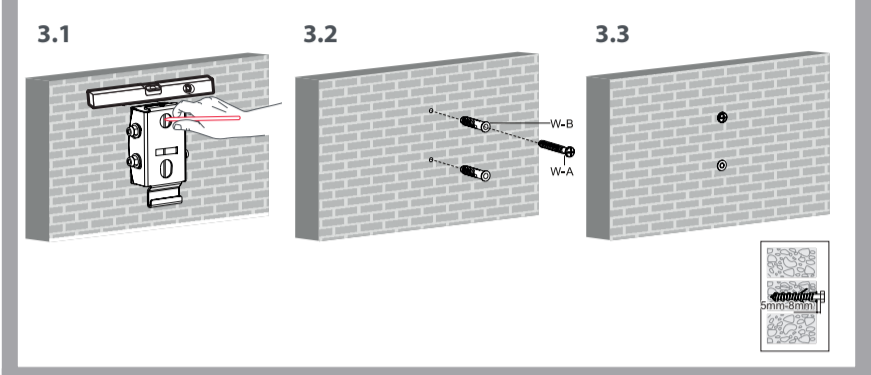


2 **WARNING**

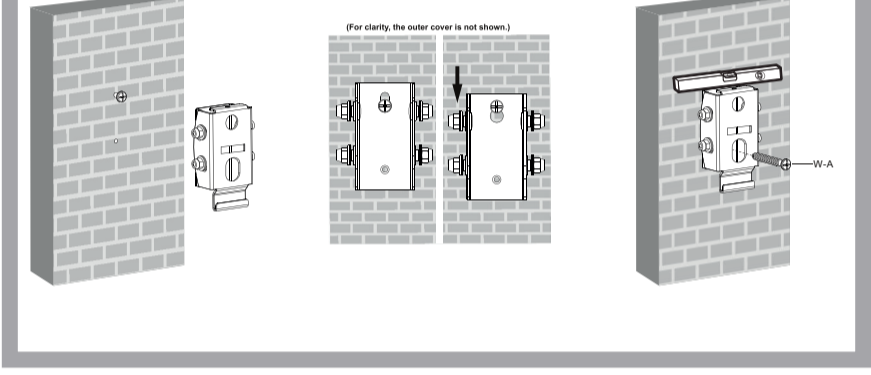
Please verify that the supporting surface will safely support the combined weight of the equipment and all attached hardware and components



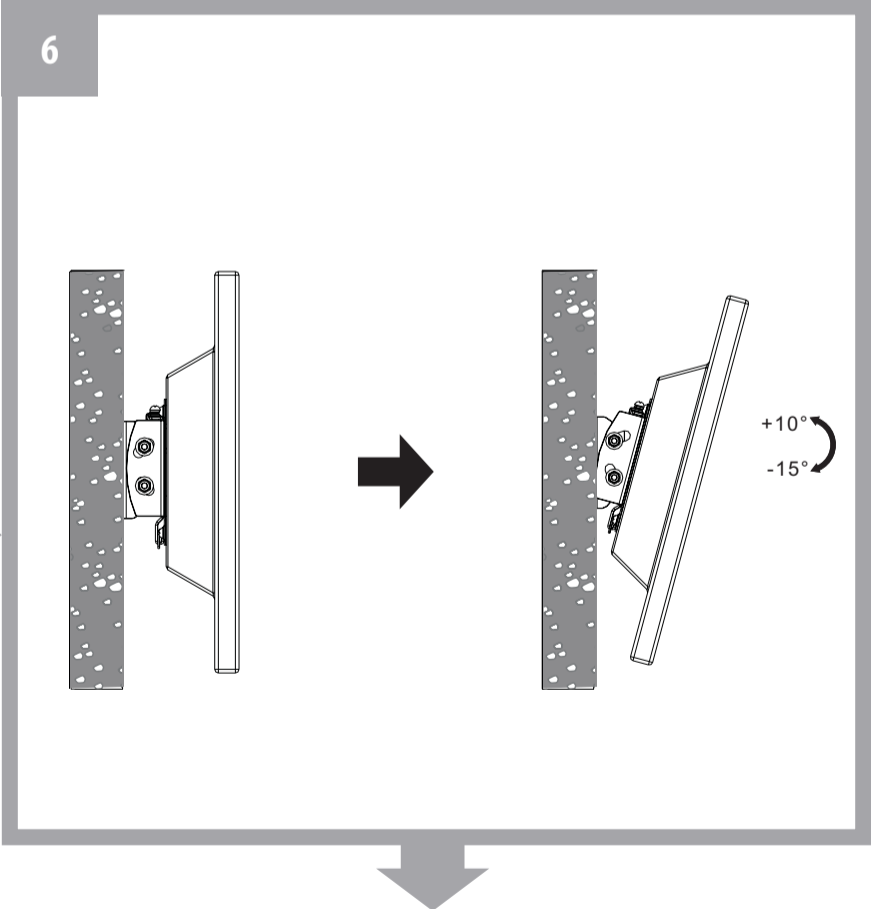
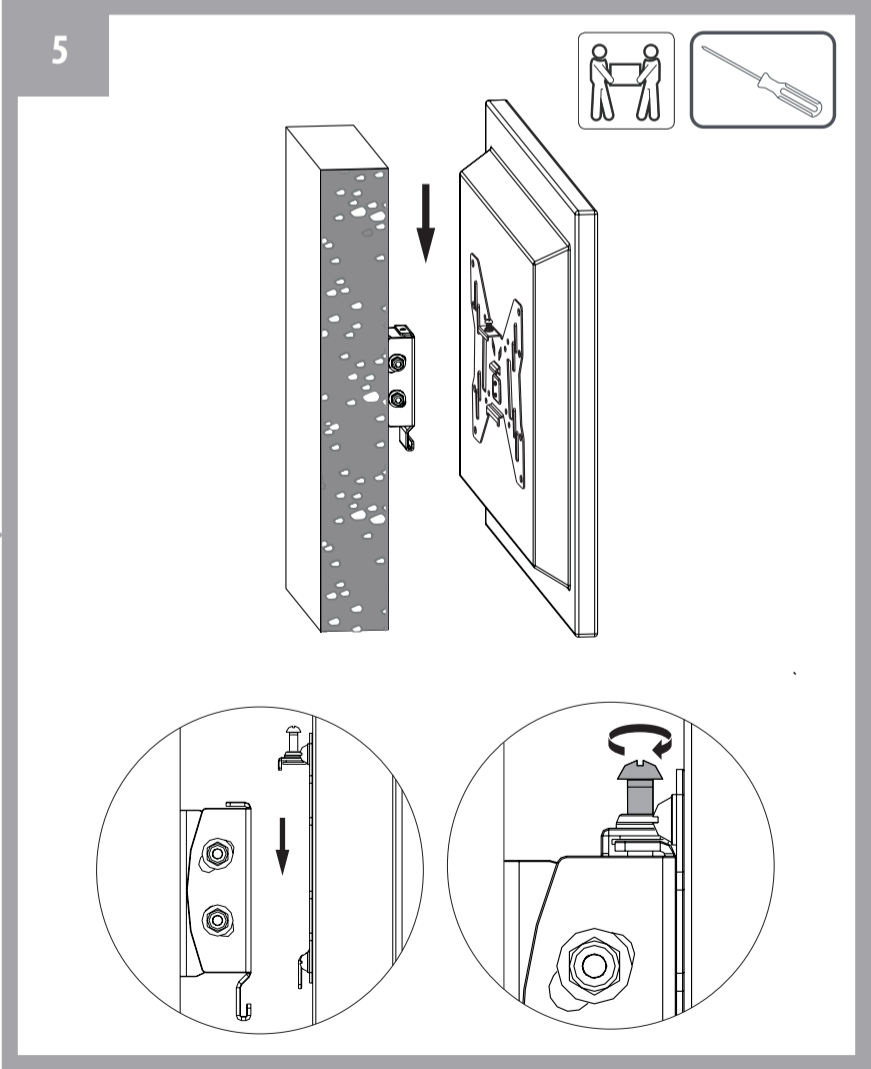
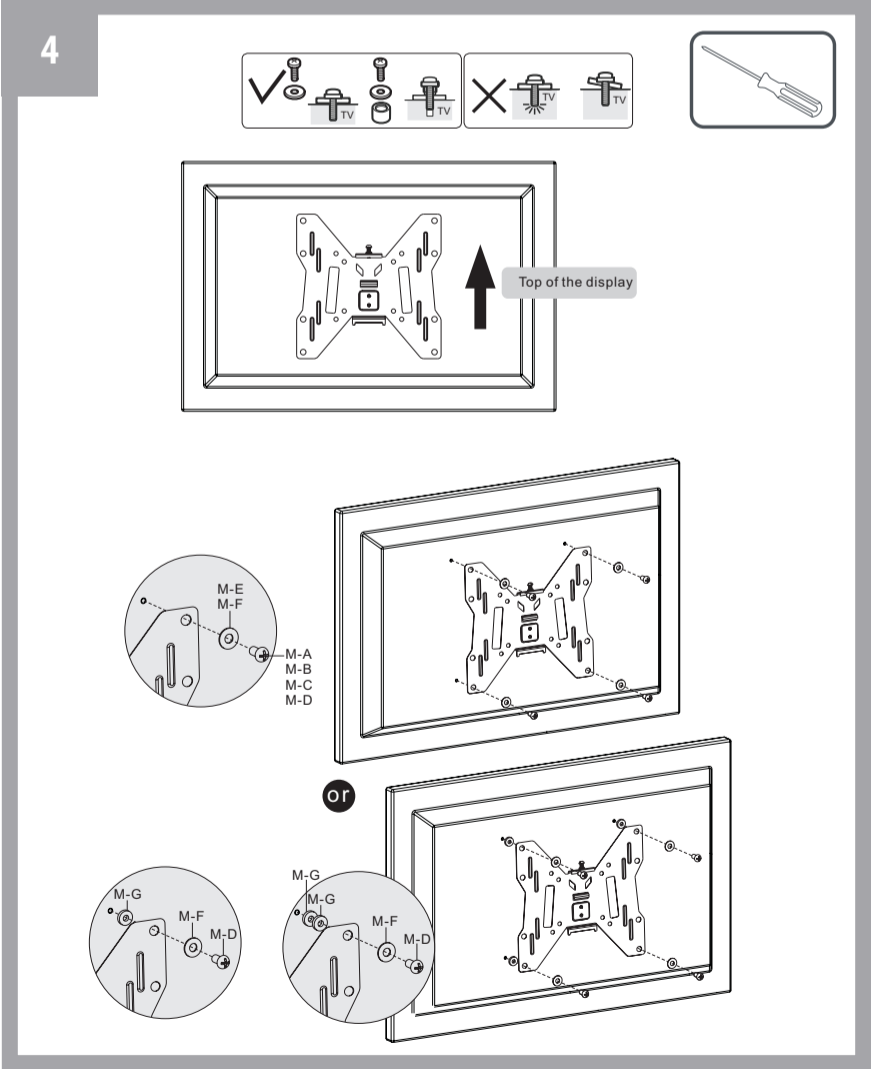
3a



3b



- Package M**
- M4x14 (x4) M-A
 - M5x14 (x4) M-B
 - M6x14 (x4) M-C
 - M8x20 (x4) M-D
 - D5 washer (x4) M-E
 - D8 washer (x4) M-F
 - small spacer (x8) M-G
- Package W**
- ST5.5x50 (x2) W-A
 - concrete anchor (x2) W-B



FINISH