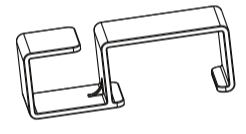


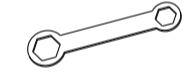
A (x1)



clip (x1)  
B



6mm Allen key (x1)  
C

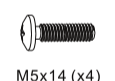


M6\M8 wrench (x1)  
D

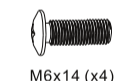
Package M



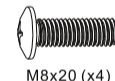
M4x14 (x4)  
M-A



M5x14 (x4)  
M-B



M6x14 (x4)  
M-C



M8x20 (x4)  
M-D



D5 washer (x2)  
M-E

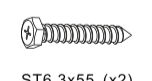


D8 washer (x2)  
M-F

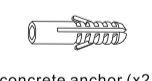


small spacer (x8)  
M-G

Package W



ST6.3x55 (x2)  
W-A



concrete anchor (x2)  
W-B



D6 washer (x2)  
W-C

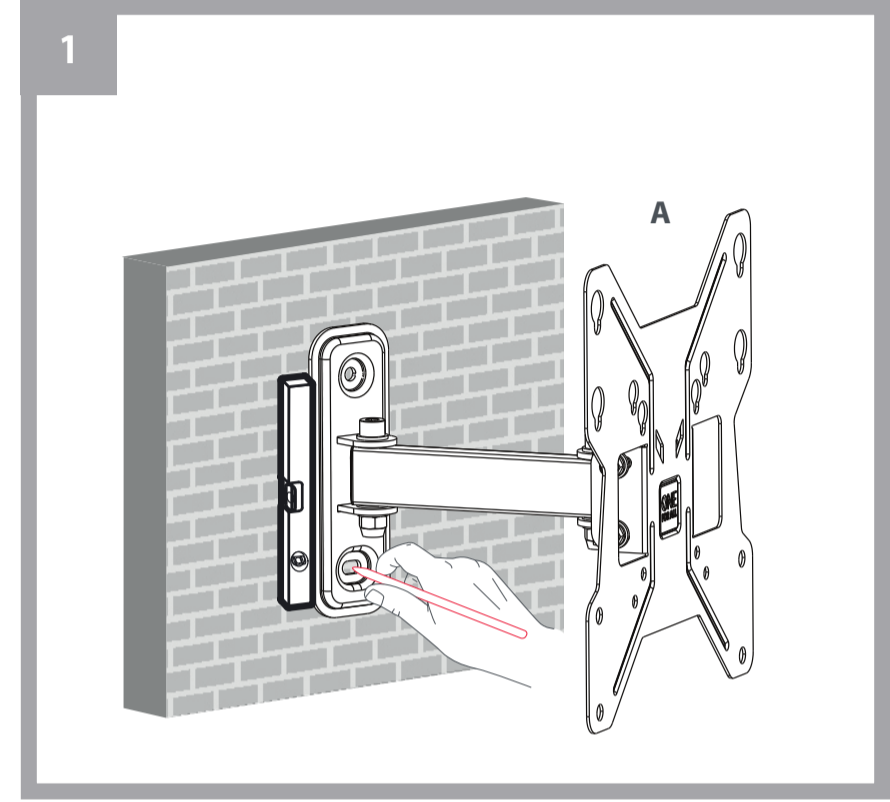
Separate the waste  
Differenzia i Rifiuti



<http://www.oneforall.com/documents>

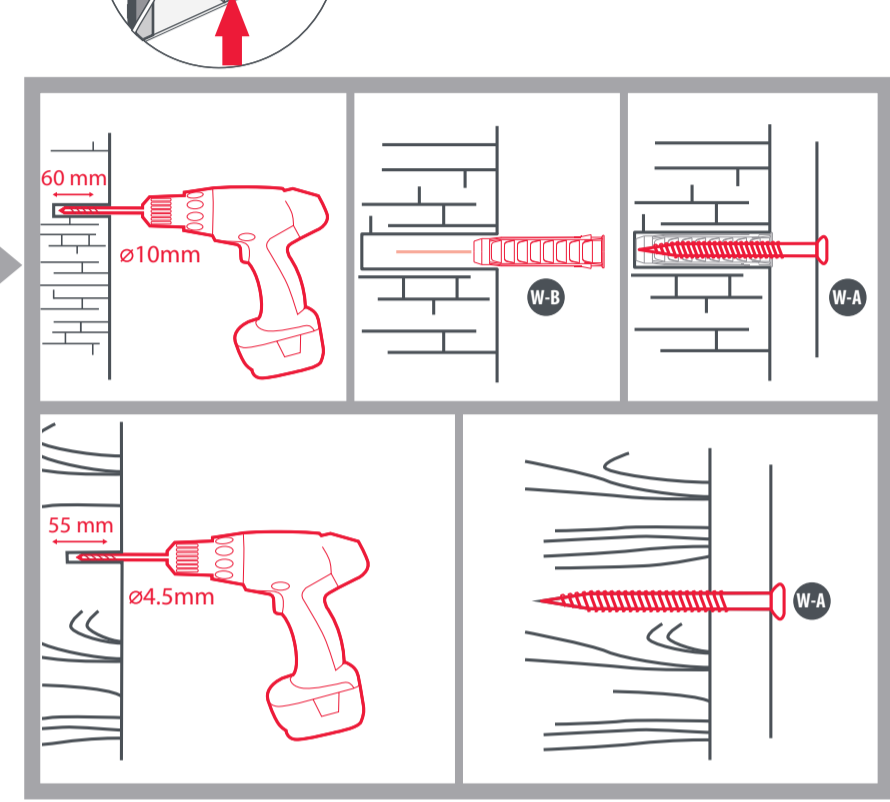
Universal Electronics BV - Europe & International  
P.O. Box 3332, 7500 DH Enschede  
RDN-1150323

**START**

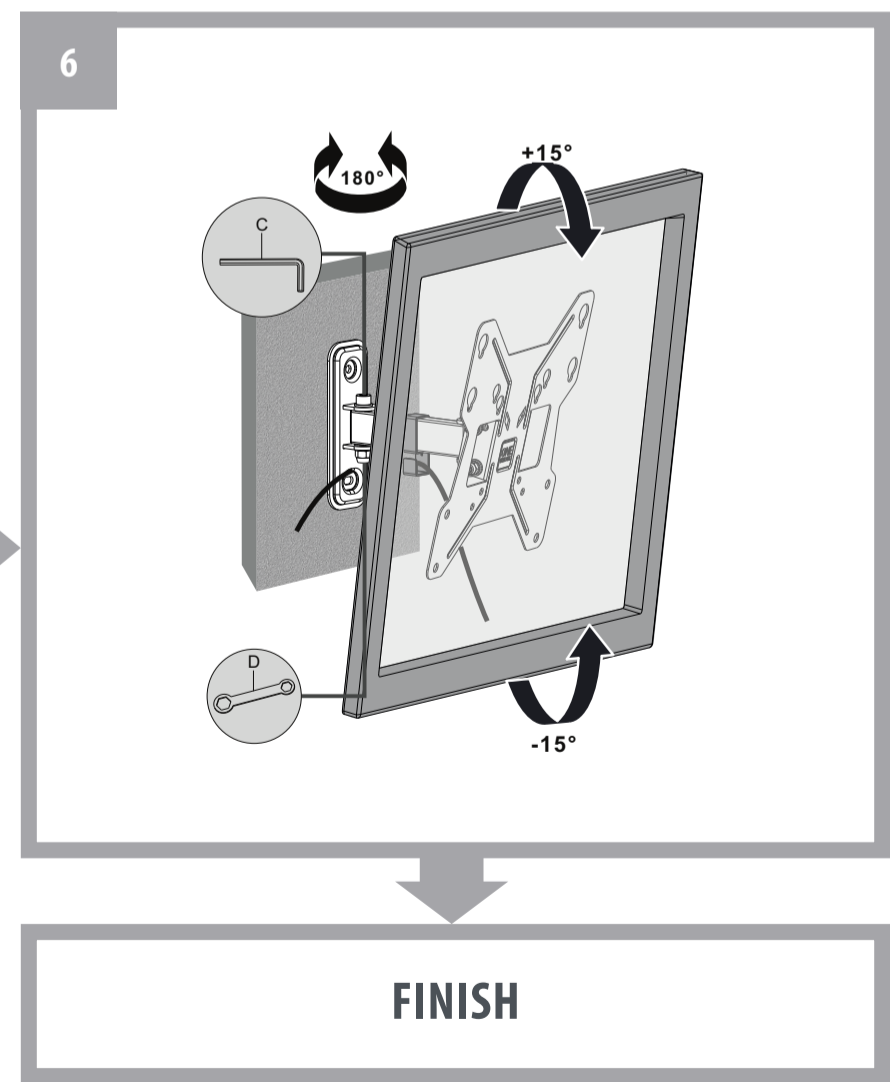
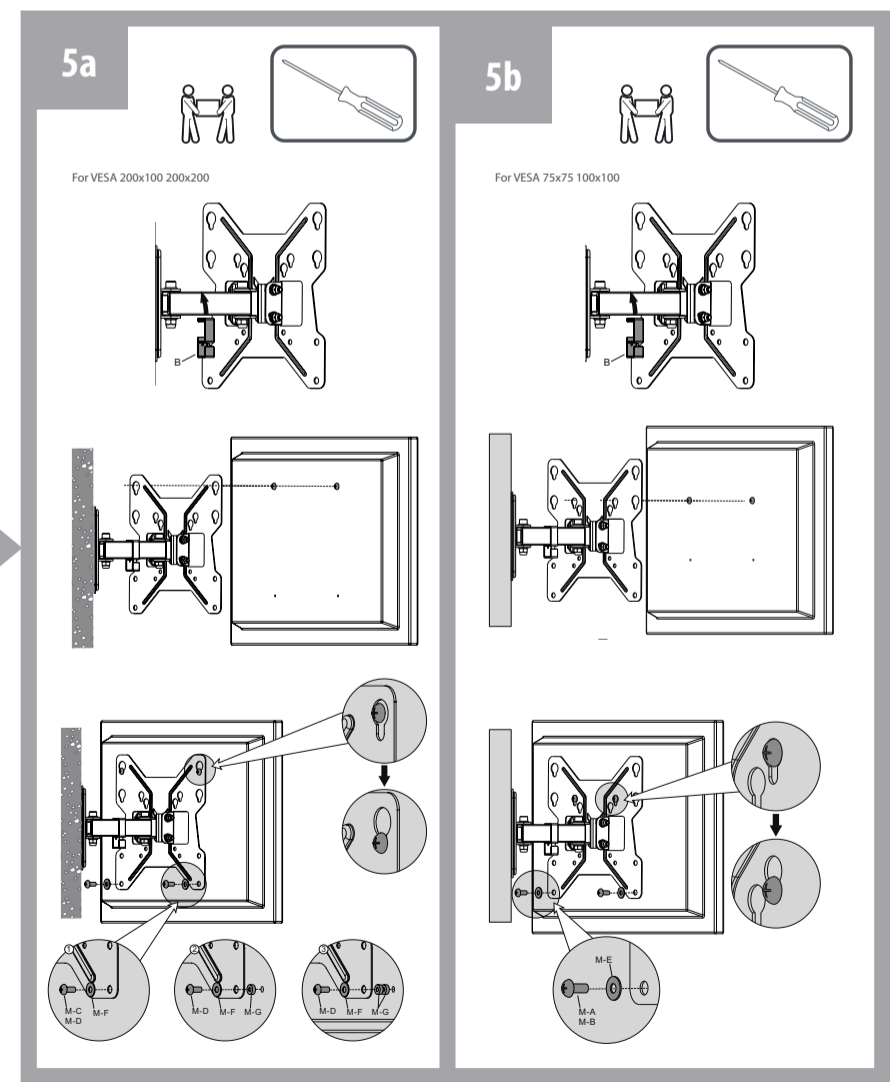
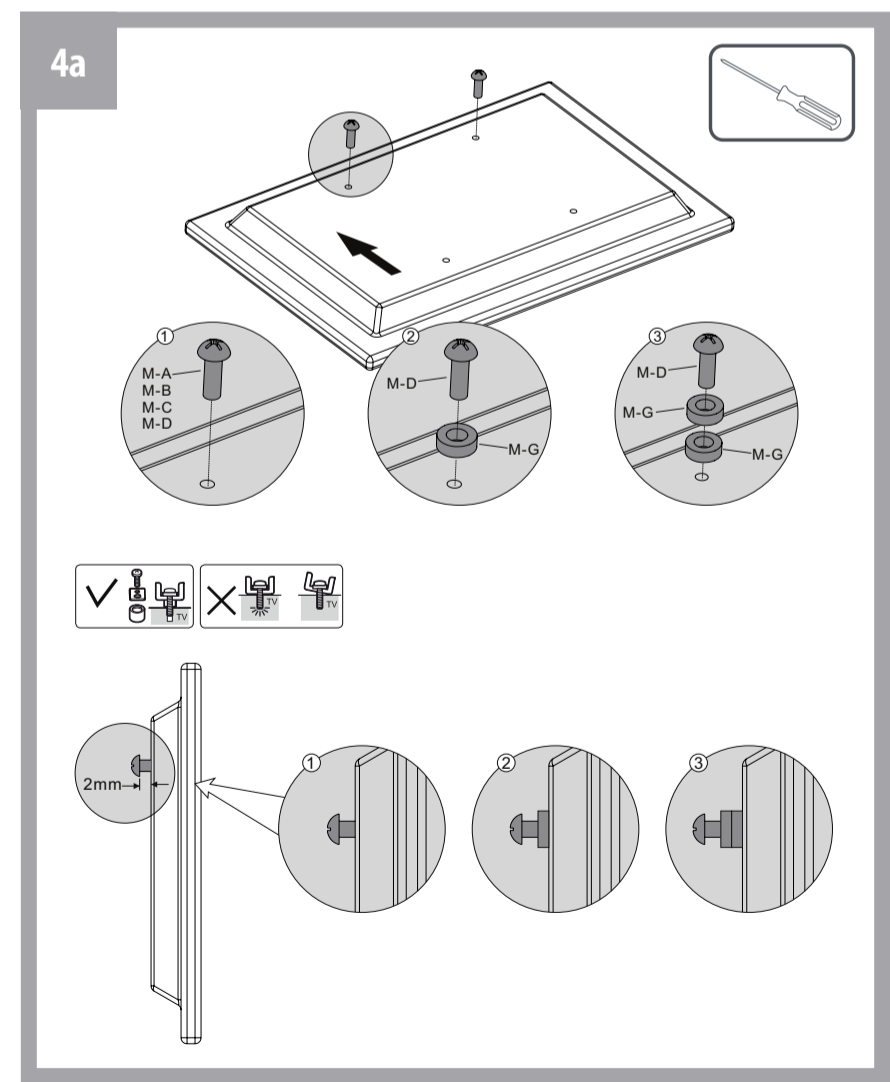
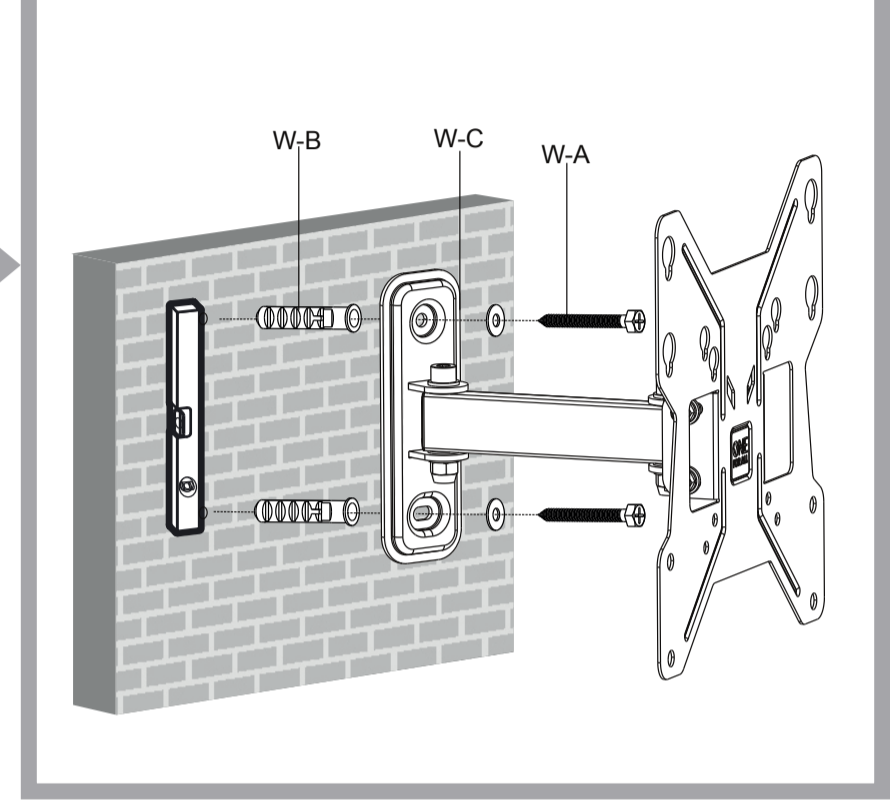


**2 WARNING**

Please verify that the supporting surface will safely support the combined weight of the equipment and all attached hardware and components



**3**



**FINISH**