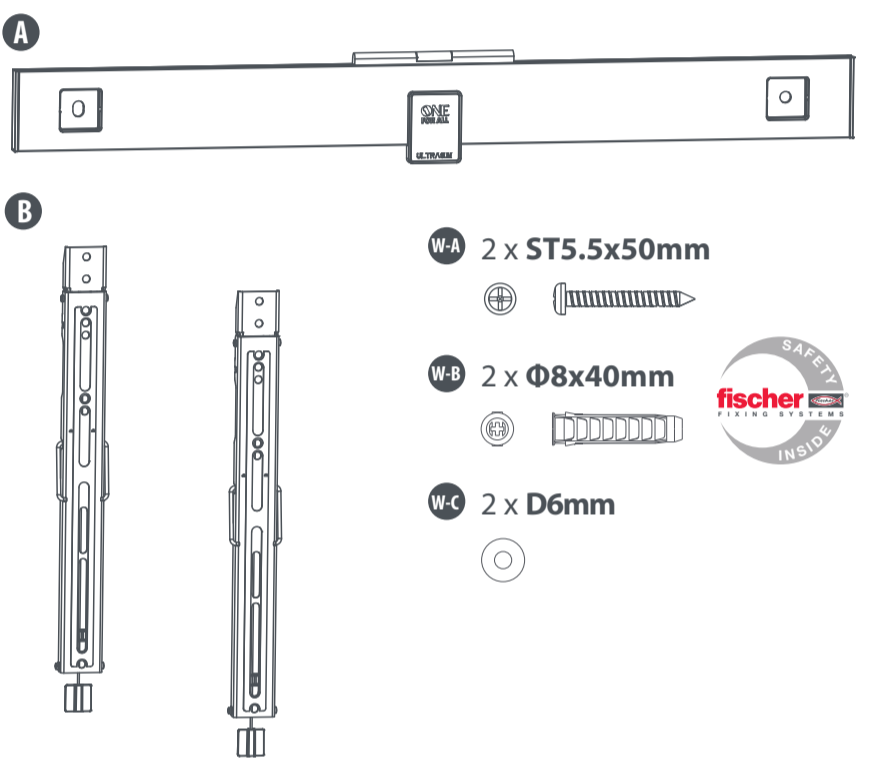


Universal  
400 x 400 max



- W-A 2 x ST5.5x50mm
- W-B 2 x Ø8x40mm
- W-C 2 x D6mm



- M-A 4 x M5x14mm
- M-B 4 x M6x14mm
- M-C 4 x M6x30mm
- M-D 4 x M8x30mm
- M-I 4 x M8x12mm
- M-E 4 x M8x50mm
- M-F 4 x D6mm
- M-G 8 x ø15xø8x5mm
- M-H 8 x ø15xø8x15mm



Universal Electronics B.V. - Europe & International  
P.O. Box 3332, 7500 DH Enschede  
The Netherlands  
RDN-1150323

