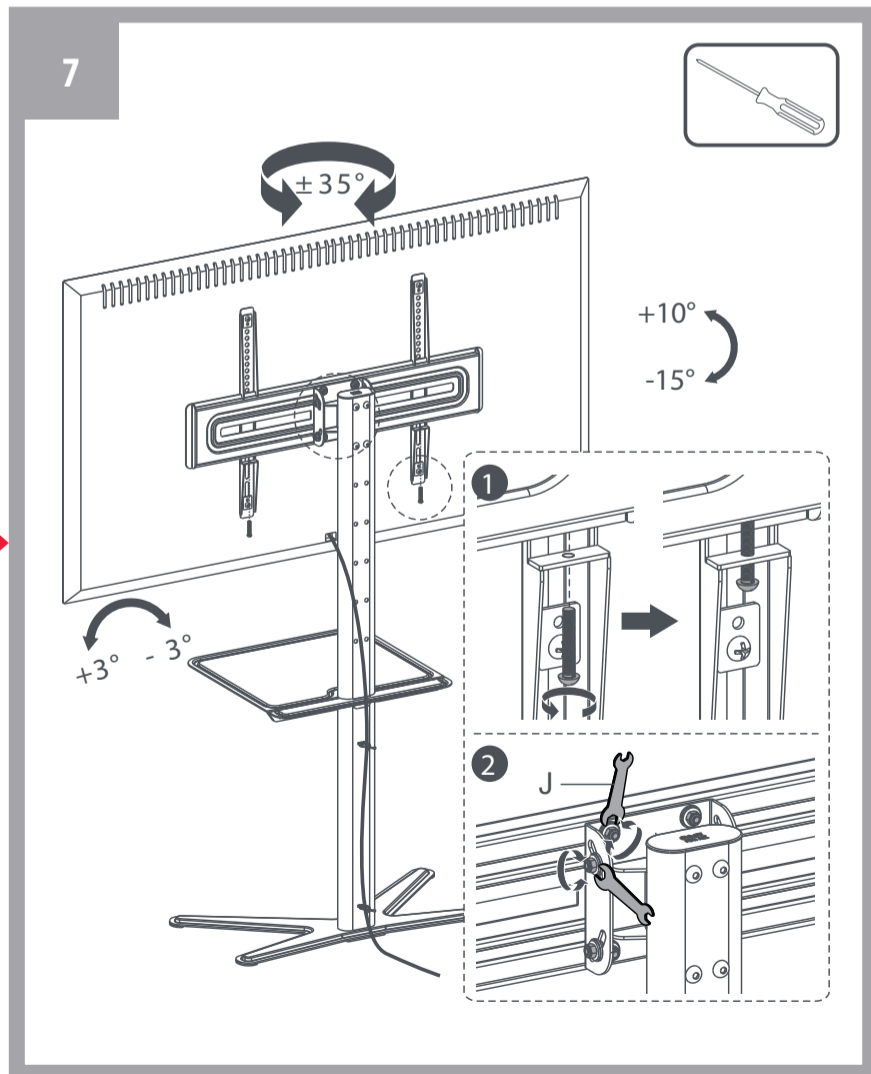
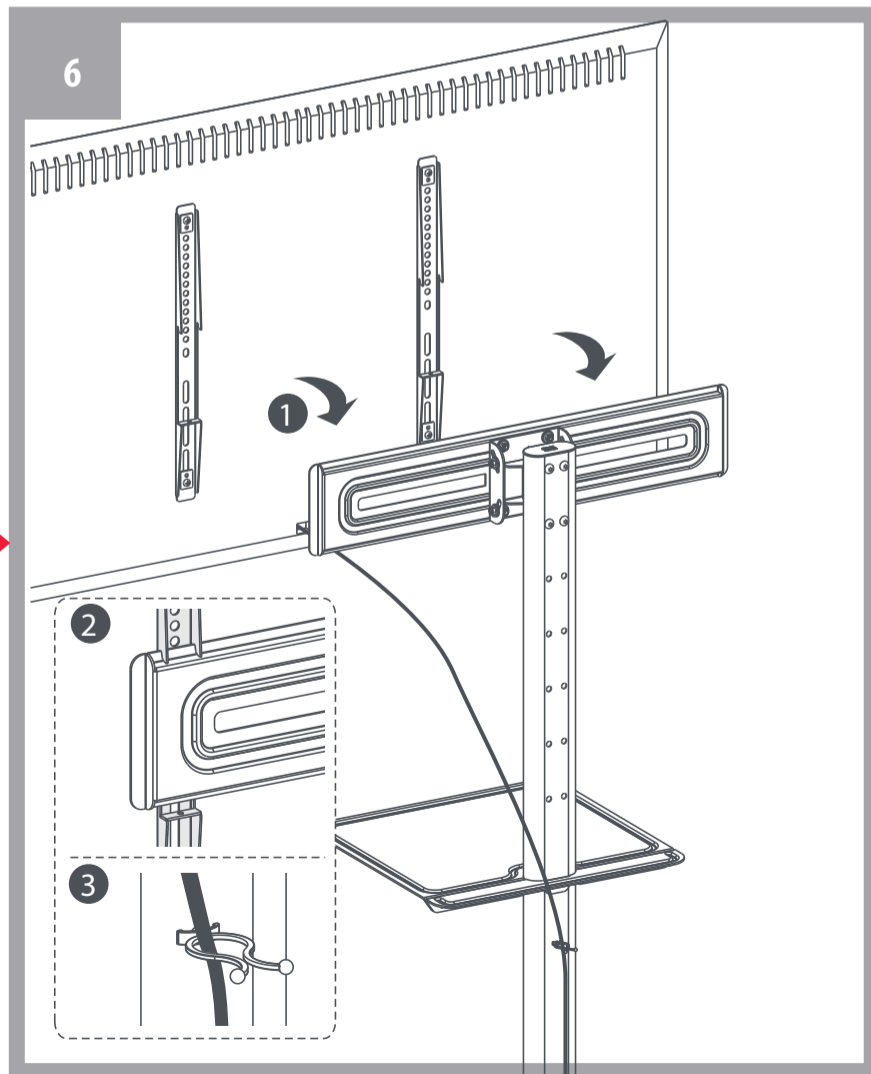
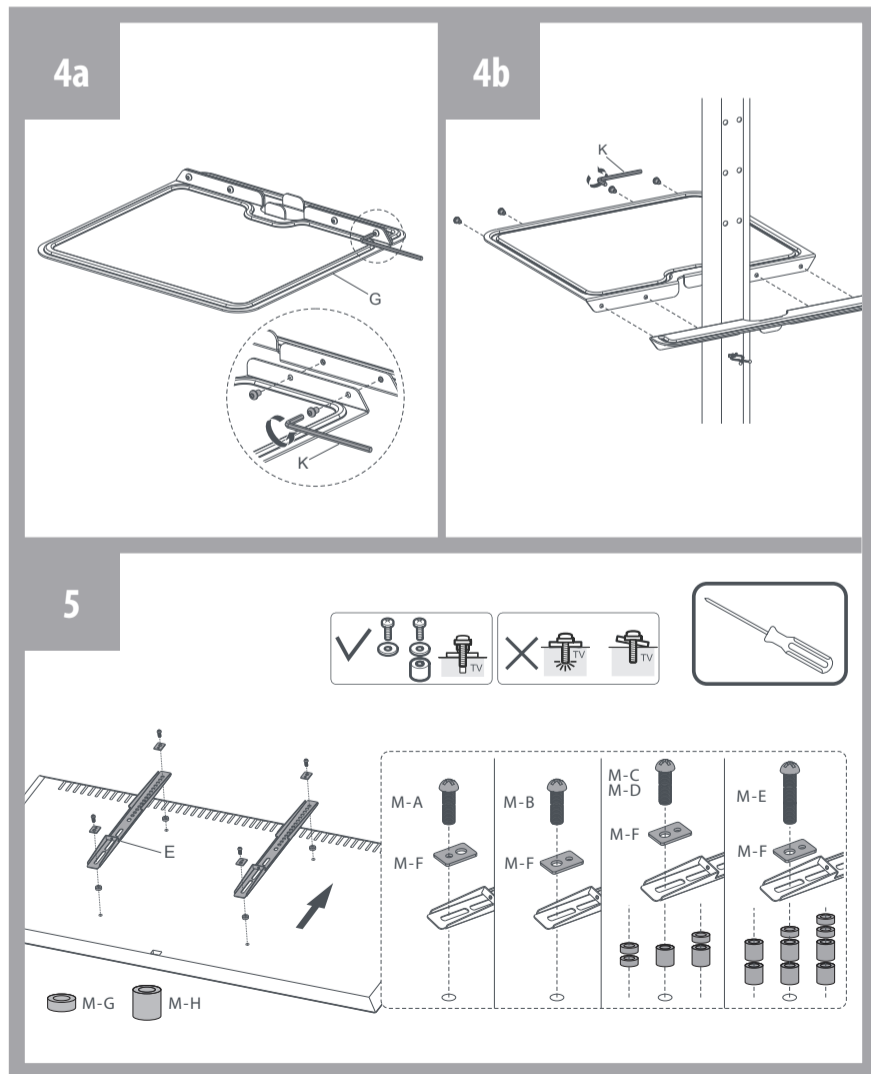
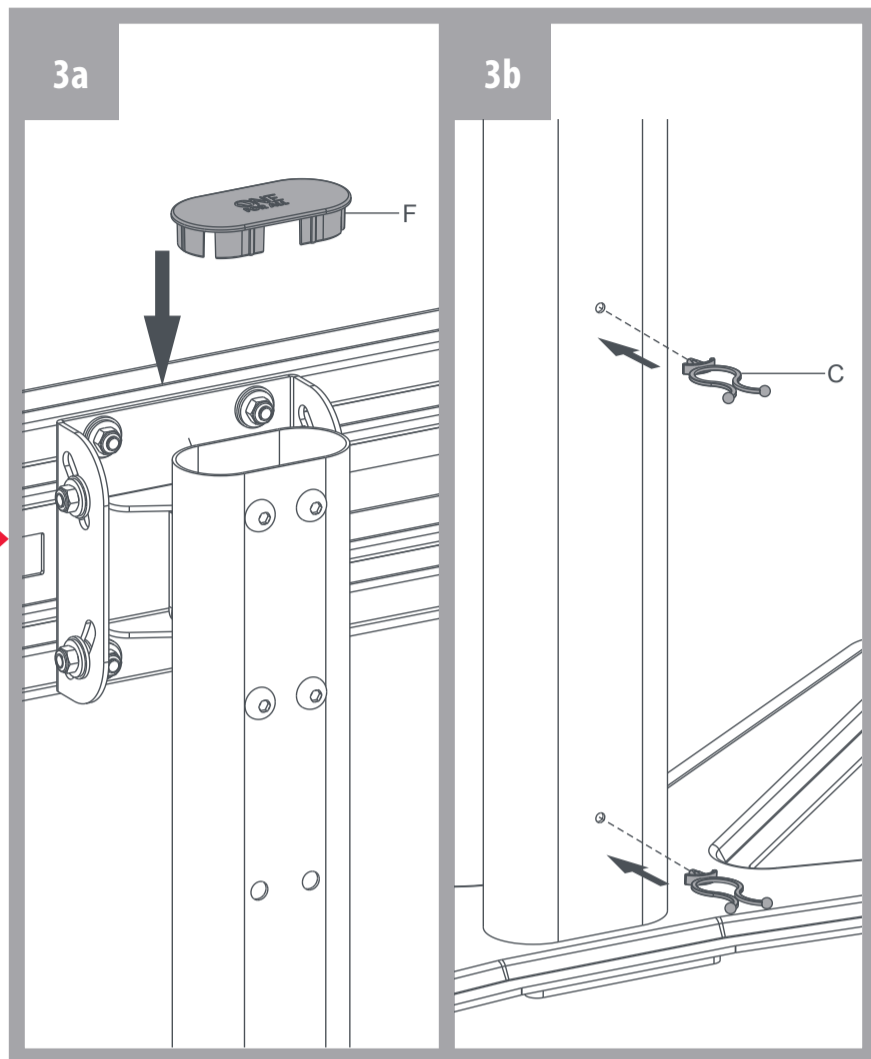
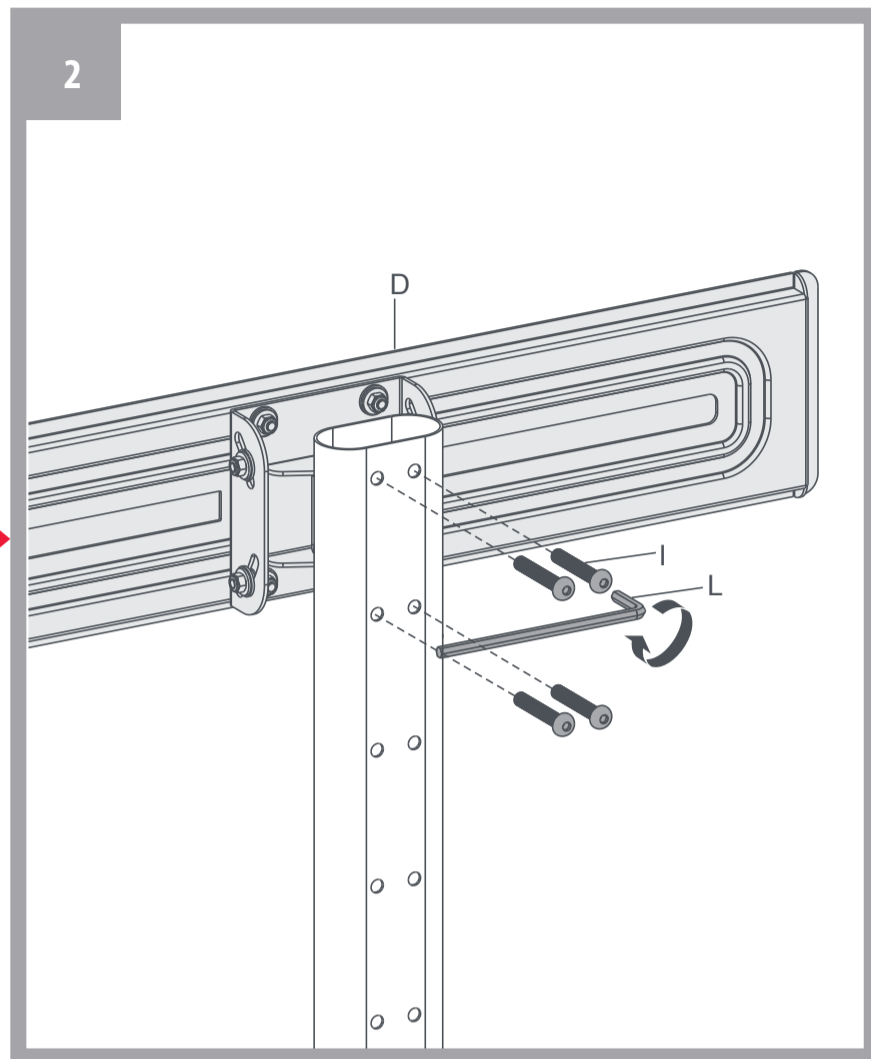
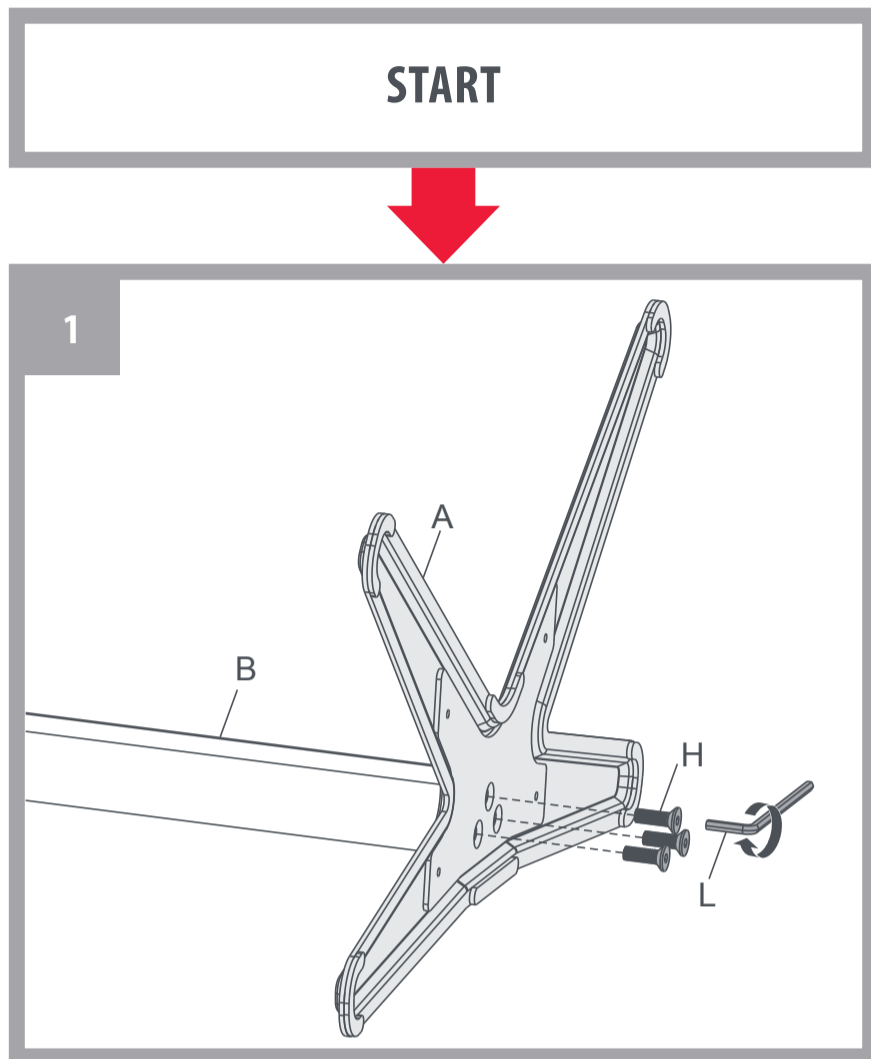
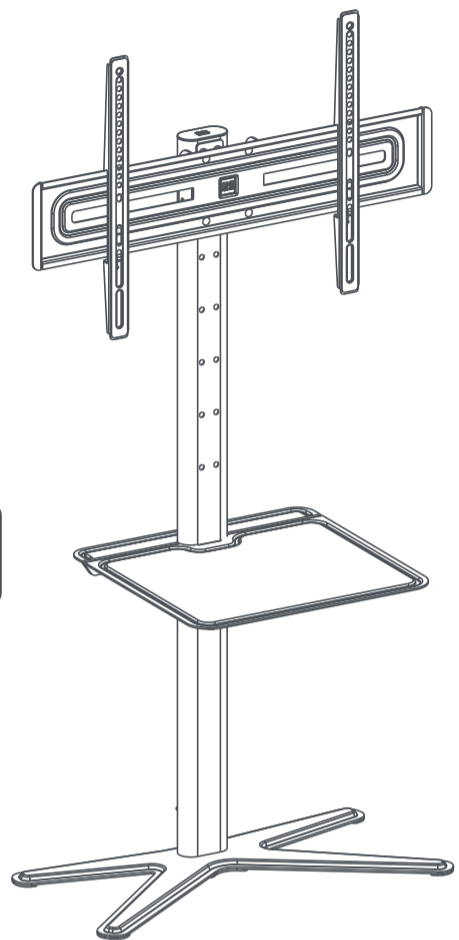
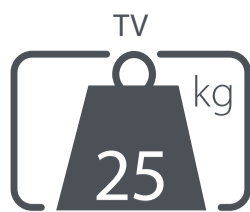


ONE[®]
FOR ALL

ONE FOR ALL



- A (x1)**
- B (x1)**
- C (x2)**
- D (x1)**
- E (x2)**
- F (x1)**
- G (x1)**
- H (x3)**
- I (x4)**
- J (x1)**
- K (x1)**
- L (x1)**
- M-A (x4)**
- M-B (x4)**
- M-C (x4)**
- M-D (x4)**
- M-E (x4)**
- M-F (x4)**
- M-G (x8)**
- M-H (x8)**

