

**A (x2)**

**Package M**

- M-A** 4 x M6x20mm



- M-B** 4 x D6mm



**Package W**

- W-A** 8 x ST6.3X55mm

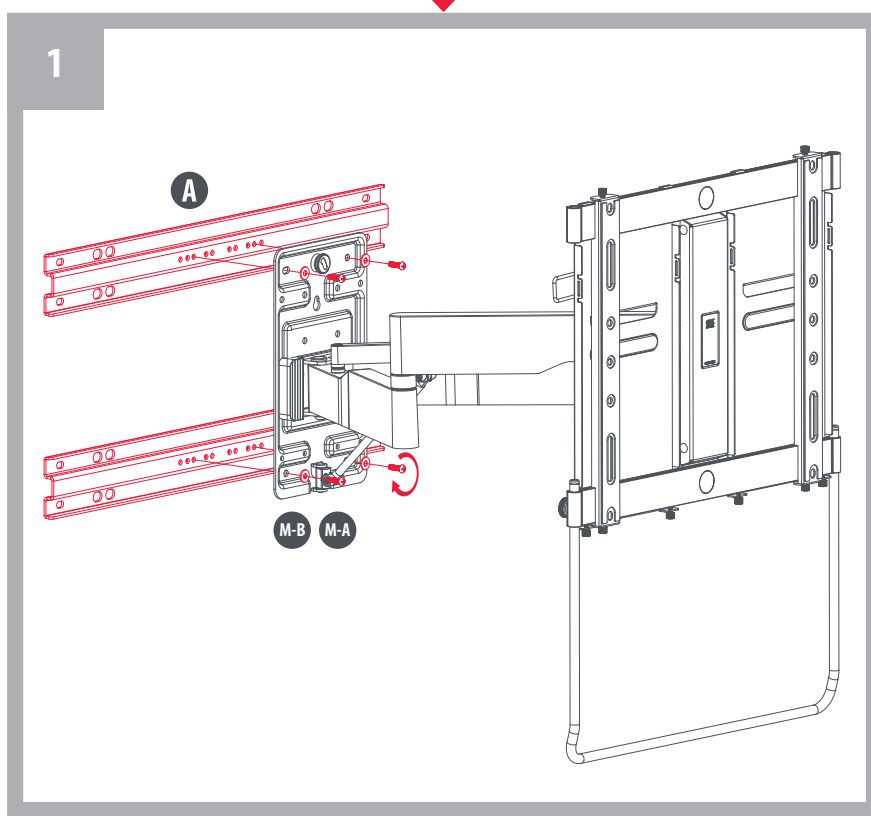

- W-B** 8 x D6mm



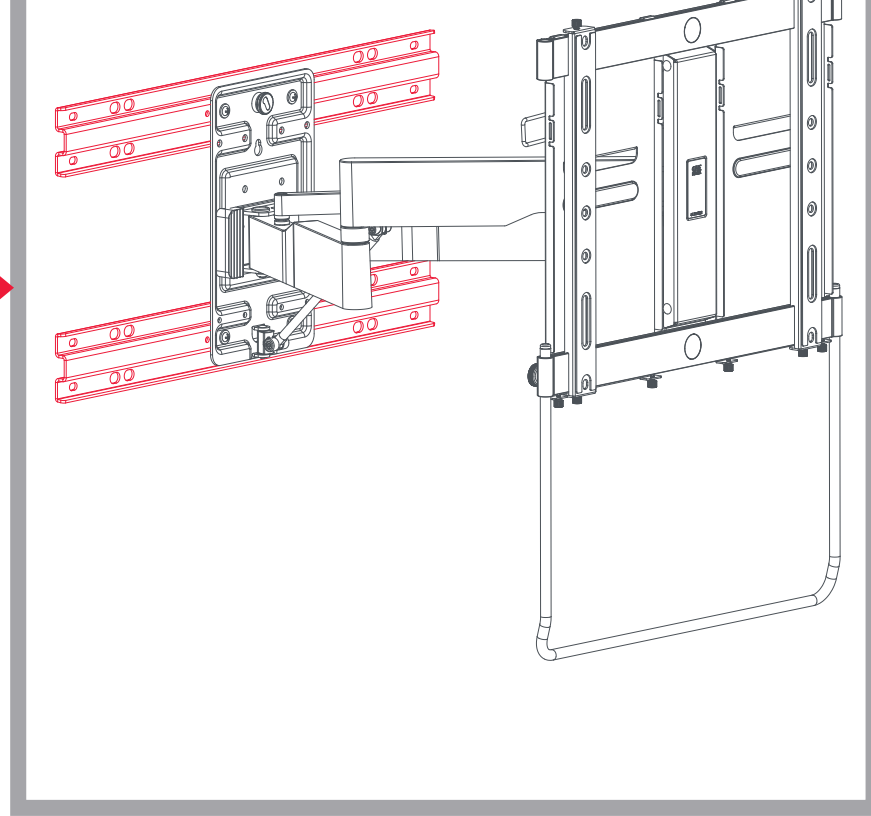


Universal Electronics BV - Europe & International  
 P.O. Box 3332, 7500 DH Enschede  
 The Netherlands  
 WM6010  
 7.2995

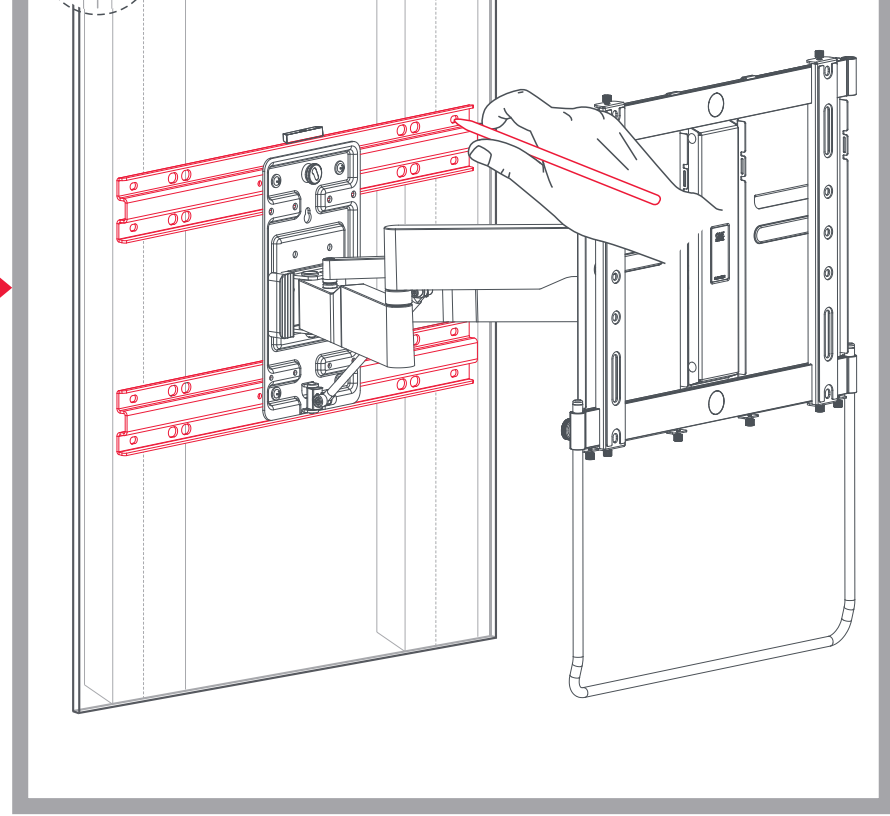
**START**




**2**



**3**

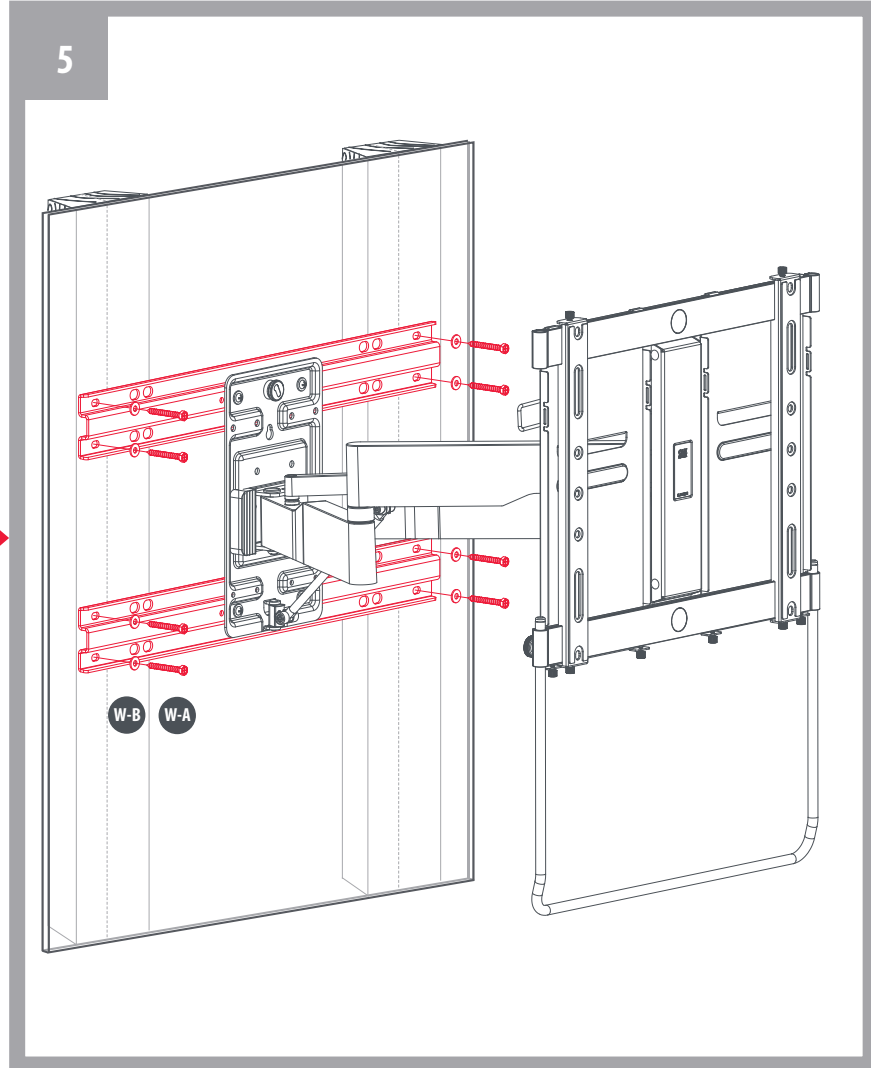
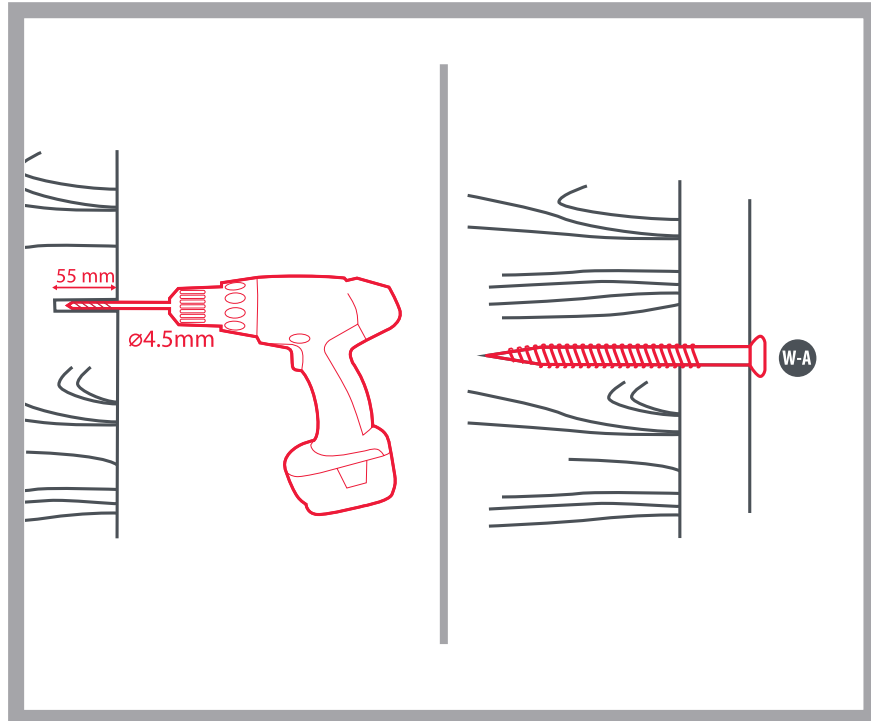


**4**



**WARNING**

Please verify that the supporting surface will safely support the combined weight of the equipment and all attached hardware and components



**FINISH**